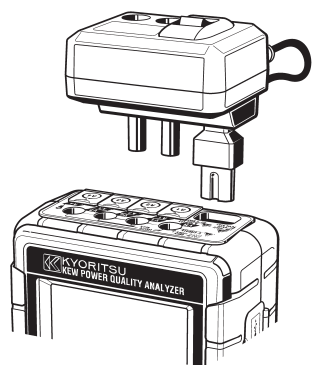


Instruction Manual



Power Supply Adapter

MODEL 8312

KYORITSU ELECTRICAL INSTRUMENTS WORKS, LTD.

DISTRIBUTOR

KYORITSU ELECTRICAL INSTRUMENTS WORKS, LTD.

2-5-20, Nakane, Meguro-ku,
Tokyo, 152-0031 Japan
Phone: +81-3-3723-0131
Fax: +81-3-3723-0152
Factory: Ehime, Japan

www.kew-ltd.co.jp

This is a Power Supply adapter supplied as an optional item for our POWER QUALITY ANALYZER KEW6315 and POWER METER KEW6305 and provides power to the instrument from the line under test. Upper limit of voltage measurement with KEW6315 or 6305 is 240V when using this Adapter.

❗ Check the followings before using this Adapter.

⚠ DANGER

- Do not connect to the object in which the electrical potential exceeds AC240V.
- Connect the Adapter to KEW6315/6305 first, and then connect to the line under test.
- Use Voltage test leads dedicated for KEW6315/6305.
- Never disconnect the Adapter during a measurement – while it is energized.
- Remove all the cords connected to the Adapter before replacing a Fuse.
- Use a Fuse with a proper rating.

⚠ WARNING

- Power off the Adapter before connecting to KEW6315/6305.
- Do not attempt to make measurement in the presence of flammable gasses. Otherwise, the use of the instrument may cause sparking, which can lead to an explosion.

How to use

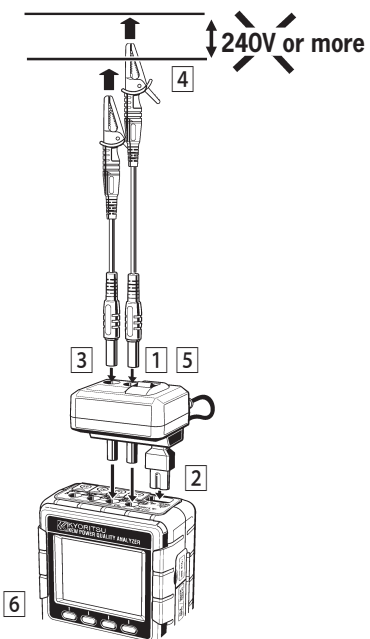
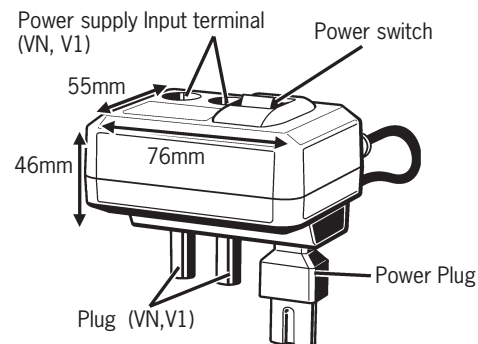
Connect the Adapter according to following procedure.

- 1 Confirm that the Adapter is off.
- 2 Connect the Plug of the Adapter to VN and V1 terminals on KEW6315/6305 and Power Plug to the Power connector respectively.
- 3 Connect the Voltage test leads to VN and V1 terminals of the Adapter.
- 4 Connect the Alligator clips of the Voltage test leads to the circuit under test.
- 5 Power on the Adapter.
- 6 Power on KEW6315/6305.

* Reversed procedure is applied to remove the Adapter from KEW6315/6305.

Specification

Cable length	: approx 180mm
Max input voltage	: 240Vrms
Fuse rating	: AC500mA/ 600V, Fast acting, $\Phi 6.3 \times 32$ mm
Accessories	: Fuse Model8923(Installed) Instruction manual Terminal color plate



Please connect the VN and V2 or V3 together in the case of 3P3W3A.

Fuse Replacement

- (1) Confirm that the Adapter is off.
- (2) Remove all cords from the Adapter.
- (3) Loosen the screws at the backside of the instrument, and remove the Fuse Cover.
- (4) Remove the fuse.
- (5) Install a new fuse to the Fuse holder.
- (6) Tighten the screws and fix the cover.