

**RA 3.5mm Male to 3.5mm Female Adapter**

**Electrical Specifications**

|                        |                |
|------------------------|----------------|
| Frequency Range        | DC to 34.5 GHz |
| Maximum VSWR           | 1.25:1         |
| Maximum Insertion Loss | 0.3 dB         |

**Specifications by Frequency**

| Description | F1      | F2        | F3 | F4 | F5 | Units |
|-------------|---------|-----------|----|----|----|-------|
| Range       | DC to 0 | 0 to 34.5 |    |    |    | GHz   |
| VSWR        | 1.25:1  |           |    |    |    |       |
| Return Loss | 19.085  |           |    |    |    | dB    |

**Mechanical Specifications**

**Size**

|        |                    |
|--------|--------------------|
| Length | 0.6 in [15.24 mm]  |
| Width  | 0.312 in [7.92 mm] |
| Height | 0.7 in [17.78 mm]  |
| Color  | Silver             |

**Connector 1**

|                                       |                            |
|---------------------------------------|----------------------------|
| Type                                  | 3.5mm Male                 |
| Inner Conductor Material and Plating  | Beryllium Copper, Gold     |
| Inner Conductor Plating Specification | MIL-G-45204                |
| Coupling Nut Material and Plating     | Passivated Stainless Steel |
| Coupling Nut Plating Specification    | ASTM A380                  |
| Torque                                | 9 in-lbs [1.02 Nm]         |
| Body Material and Plating             | Passivated Stainless Steel |
| Body Plating Specification            | ASTM A380                  |
| Dielectric Type                       | Air                        |

**Connector 2**

|                                       |                            |
|---------------------------------------|----------------------------|
| Type                                  | 3.5mm Female               |
| Inner Conductor Material and Plating  | Beryllium Copper, Gold     |
| Inner Conductor Plating Specification | MIL-G-45204                |
| Outer Conductor Material and Plating  | Passivated Stainless Steel |
| Outer Conductor Plating Specification | ASTM A380                  |
| Body Material and Plating             | Passivated Stainless Steel |
| Body Plating Specification            | ASTM A380                  |
| Dielectric Type                       | Air                        |

**Environmental Specifications**

**Temperature**

|                 |                   |
|-----------------|-------------------|
| Operating Range | -55 to +125 deg C |
|-----------------|-------------------|

**Compliance Certifications** (visit [www.FairviewMicrowave.com](http://www.FairviewMicrowave.com) for current document)

|                |     |
|----------------|-----|
| RoHS Compliant | Yes |
|----------------|-----|

**Plotted and Other Data**

Notes:

- Values at 25 °C, sea level



**Features:**

- Connector 1: 3.5mm Male
- Impedance 1: 50 Ohms
- Connector 2: 3.5mm Female
- Impedance 2: 50 Ohms
- Adapter Design: Standard
- Body Style: Right Angle

Fairview Microwave  
 1130 Junction Dr. #100  
 Allen, TX 75013  
 Tel: 1-800-715-4396 / (972) 649-6678  
 Fax: (972) 649-6689  
[www.fairviewmicrowave.com](http://www.fairviewmicrowave.com)  
[sales@fairviewmicrowave.com](mailto:sales@fairviewmicrowave.com)

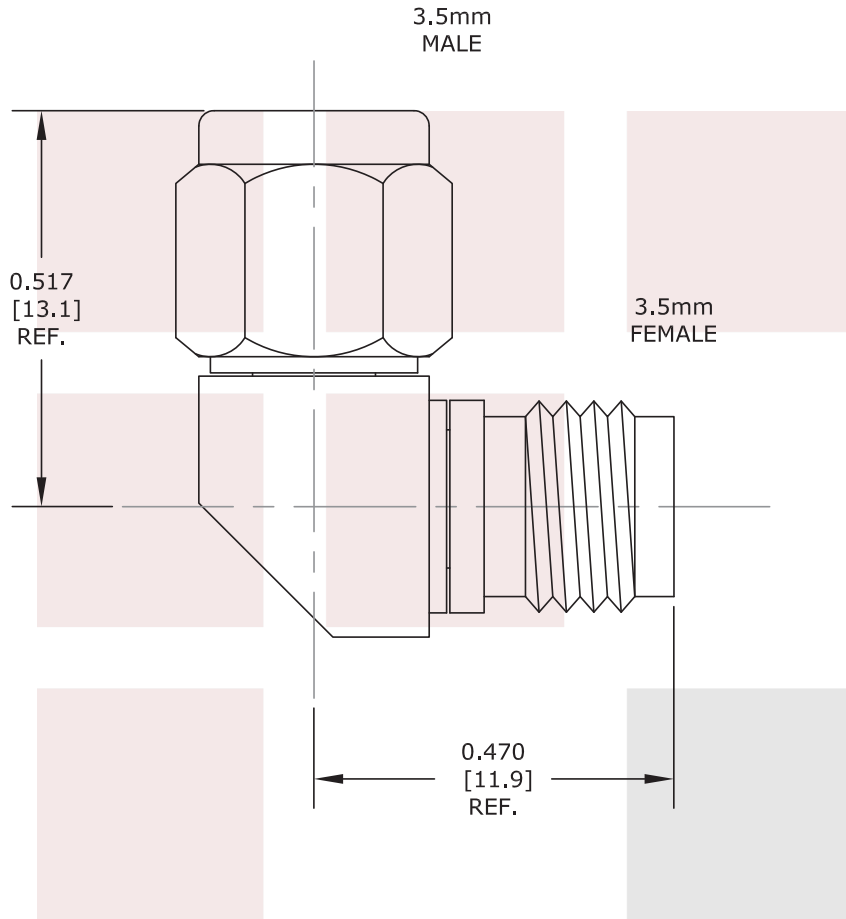
RA 3.5mm Male to 3.5mm Female Adapter from Fairview Microwave is in-stock and available to ship same-day. All of our RF/microwave products are available off-the-shelf from our ISO 9001:2008 certified facilities in Allen, Texas. Fairview Microwave is RF on-demand.

For additional information on this product, please click the following link: [RA 3.5mm Male to 3.5mm Female Adapter SM3301](#)

URL: <http://www.fairviewmicrowave.com/ra-3.5mm-male-3.5mm-female-adapter-sm3301-p.aspx>

The information contained in this document is accurate to the best of our knowledge and representative of the part described herein. It may be necessary to make modifications to the part and/or the documentation of the part, in order to implement improvements. Fairview Microwave reserves the right to make such changes as required. Unless otherwise stated, all specifications are nominal. Fairview Microwave does not make any representation or warranty regarding the suitability of the part described herein for any particular purpose, and Fairview Microwave does not assume any liability arising out of the use of any part or documentation.





|  |  |   |        |           |      |
|--|--|---|--------|-----------|------|
| <b>FAIRVIEW MICROWAVE INC.</b>                 |  | NOTES:<br>1. UNLESS OTHERWISE SPECIFIED ALL DIMENSIONS ARE NOMINAL.<br>2. ALL SPECIFICATIONS ARE SUBJECT TO CHANGE WITHOUT NOTICE AT ANY TIME.<br>3. DIMENSIONS ARE IN INCHES [mm]. |        |           |      |
| ALLEN, TX 75013 WWW.FAIRVIEWMICROWAVE.COM      |  | DWG NO  |        | CAGE CODE |      |
| RA-3.5mm Male to 3.5mm Female Adapter          |  | SM3301  |        | 3FKR5     |      |
| 3.5mm Male to 3.5mm Female Right Angle Adapter |  | CAD FILE  | 030314 | SHEET     | 2233 |
|  |  | SCALE   | N/A    | SIZE      | A    |