

**RA 3.5mm Female to 3.5mm Female Adapter**

**Electrical Specifications**

Frequency Range	DC to 34.5 GHz
Maximum VSWR	1.25:1
Maximum Insertion Loss	0.3 dB

**Specifications by Frequency**

Description	F1	F2	F3	F4	F5	Units
Range	DC to 0	0 to 34.5				GHz
VSWR	1.25:1					
Return Loss	19.085					dB

**Mechanical Specifications**

Color Silver

**Connector 1**

Type 3.5mm Female  
 Inner Conductor Material and Plating Beryllium Copper, Gold  
 Inner Conductor Plating Specification MIL-G-45204  
 Outer Conductor Material and Plating Passivated Stainless Steel  
 Outer Conductor Plating Specification ASTM A380  
 Body Material and Plating Passivated Stainless Steel  
 Body Plating Specification ASTM A380  
 Dielectric Type Air

**Connector 2**

Type 3.5mm Female  
 Inner Conductor Material and Plating Beryllium Copper, Gold  
 Inner Conductor Plating Specification MIL-G-45204  
 Outer Conductor Material and Plating Passivated Stainless Steel  
 Outer Conductor Plating Specification ASTM A380  
 Body Material and Plating Passivated Stainless Steel  
 Body Plating Specification ASTM A380  
 Dielectric Type Air

**Environmental Specifications**

**Temperature**

Operating Range -55 to +125 deg C

**Compliance Certifications** (visit [www.FairviewMicrowave.com](http://www.FairviewMicrowave.com) for current document)

RoHS Compliant Yes

**Plotted and Other Data**

Notes:

- Values at 25 °C, sea level



**Features:**

- Connector 1: 3.5mm Female
- Impedance 1: 50 Ohms
- Connector 2: 3.5mm Female
- Impedance 2: 50 Ohms
- Adapter Design: Standard
- Body Style: Right Angle

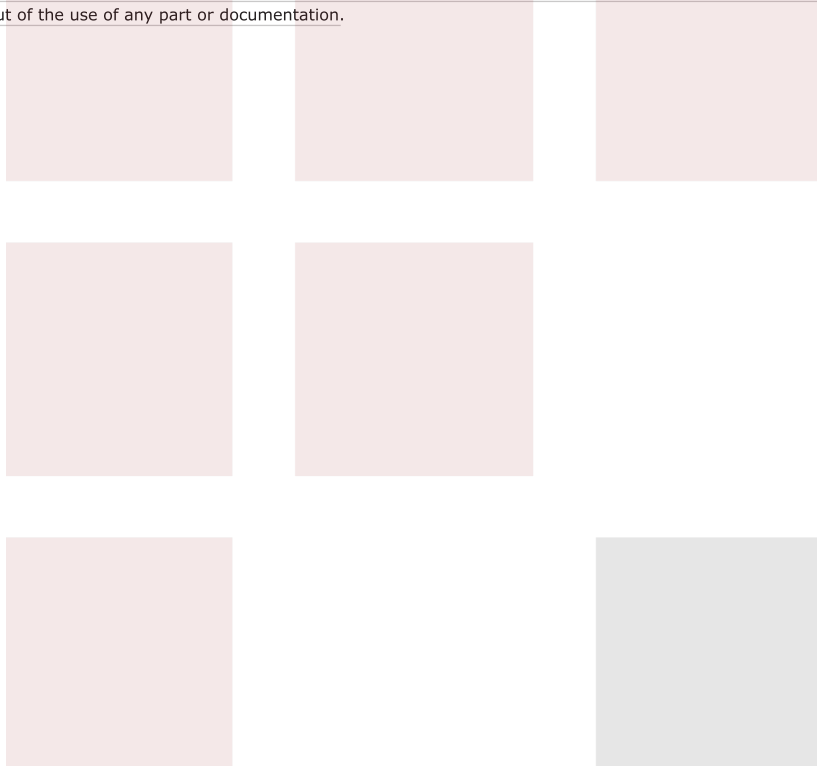
Fairview Microwave  
 1130 Junction Dr. #100  
 Allen, TX 75013  
 Tel: 1-800-715-4396 / (972) 649-6678  
 Fax: (972) 649-6689  
[www.fairviewmicrowave.com](http://www.fairviewmicrowave.com)  
[sales@fairviewmicrowave.com](mailto:sales@fairviewmicrowave.com)

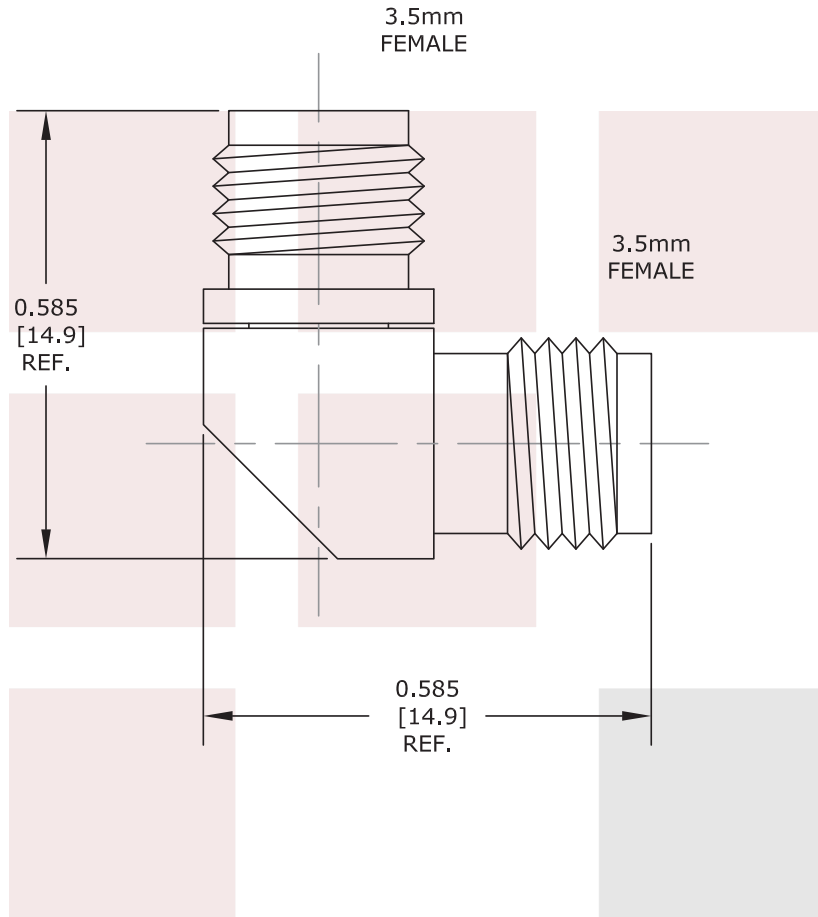
RA 3.5mm Female to 3.5mm Female Adapter from Fairview Microwave is in-stock and available to ship same-day. All of our RF/microwave products are available off-the-shelf from our ISO 9001:2008 certified facilities in Allen, Texas. Fairview Microwave is RF on-demand.

For additional information on this product, please click the following link: [RA 3.5mm Female to 3.5mm Female Adapter SM3302](#)

URL: <http://www.fairviewmicrowave.com/ra-3.5mm-female-3.5mm-female-adapter-sm3302-p.aspx>

The information contained in this document is accurate to the best of our knowledge and representative of the part described herein. It may be necessary to make modifications to the part and/or the documentation of the part, in order to implement improvements. Fairview Microwave reserves the right to make such changes as required. Unless otherwise stated, all specifications are nominal. Fairview Microwave does not make any representation or warranty regarding the suitability of the part described herein for any particular purpose, and Fairview Microwave does not assume any liability arising out of the use of any part or documentation.





<b>FAIRVIEW MICROWAVE INC.</b> ALLEN, TX 75013 WWW.FAIRVIEWMICROWAVE.COM		NOTES: 1. UNLESS OTHERWISE SPECIFIED ALL DIMENSIONS ARE NOMINAL. 2. ALL SPECIFICATIONS ARE SUBJECT TO CHANGE WITHOUT NOTICE AT ANY TIME. 3. DIMENSIONS ARE IN INCHES [mm].			
<b>RA-3.5mm Female to 3.5mm Female Adapter</b> 3.5mm Female to 3.5mm Female Right Angle Adapter		DWG NO <b>SM3302</b>		CAGE CODE <b>3FKR5</b>	
CAD FILE	030314	SHEET	SCALE	N/A	SIZE A 2233