

Paddle Dual Band Antenna Operates From With a Nominal 6 dBi Gain SMA Female Input Connector Rated

Electrical Specifications*

Description	Min	Typ	Max	Units
Impedance		50		Ohms
Nominal Gain	6			dBi
Input VSWR			2:1	

* Values at 25°C, sea level

Specifications by Frequency

Description	F1	F2	F3	F4	F5	Units
Range	2.4-2.5	5-5.9				GHz
Gain	3.5	6				dB

Mechanical Specifications

Size

Length	4.9 in [124.46 mm]
Width	0.9 in [22.86 mm]
Height	0.5 in [12.7 mm]
Weight	0.04 lbs [18.14 g]

Environmental Specifications

Temperature

Operating Range	-10 to +55 deg C
-----------------	------------------

Compliance Certifications (visit www.FairviewMicrowave.com for current document)

RoHS Compliant	Yes
----------------	-----

Plotted and Other Data

Notes:

- Values at 25 °C, sea level



Features:

- Design: Paddle Portable
- Gain: 3.5 to 6 dB
- Interface 1: SMA Female Reverse Polarity
- Number of Output Ports: 1

Fairview Microwave
 1130 Junction Dr. #100
 Allen, TX 75013
 Tel: 1-800-715-4396 / (972) 649-6678
 Fax: (972) 649-6689
www.fairviewmicrowave.com
sales@fairviewmicrowave.com

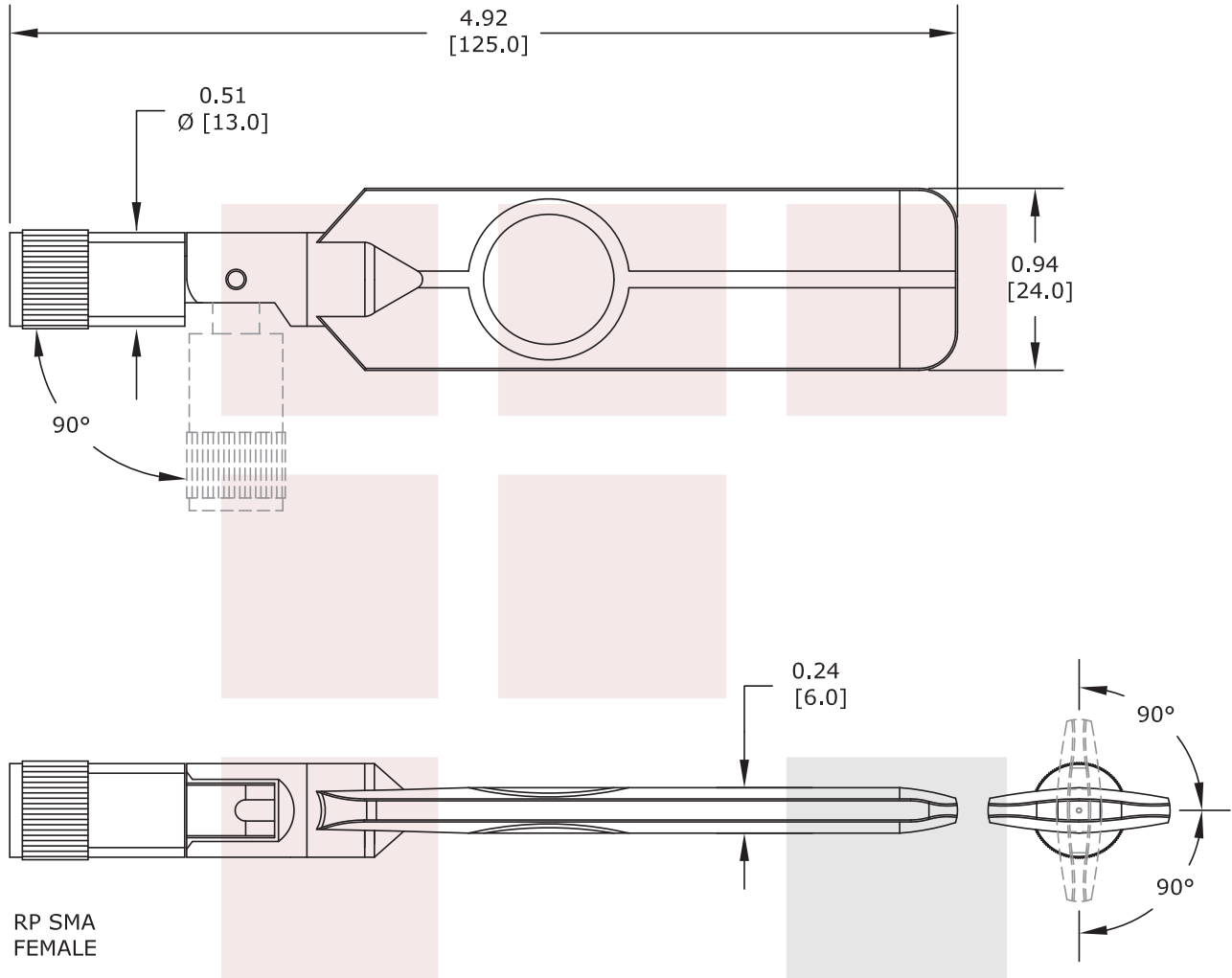
Paddle Dual Band Antenna Operates From With a Nominal 6 dBi Gain SMA Female Input Connector Rated from Fairview Microwave is in-stock and available to ship same-day. All of our RF/microwave products are available off-the-shelf from our ISO 9001:2008 certified facilities in Allen, Texas. Fairview Microwave is RF on-demand.

For additional information on this product, please click the following link: [Paddle Dual Band Antenna Operates From With a Nominal 6 dBi Gain SMA Female Input Connector Rated SANT-2112](#)

URL: <http://www.fairviewmicrowave.com/paddle-dual-band-antenna-6-dbi-sma-female-sant-2112-p.aspx>

The information contained in this document is accurate to the best of our knowledge and representative of the part described herein. It may be necessary to make modifications to the part and/or the documentation of the part, in order to implement improvements. Fairview Microwave reserves the right to make such changes as required. Unless otherwise stated, all specifications are nominal. Fairview Microwave does not make any representation or warranty regarding the suitability of the part described herein for any particular purpose, and Fairview Microwave does not assume any liability arising out of the use of any part or documentation.





FAIRVIEW MICROWAVE INC. ALLEN, TX 75013 WWW.FAIRVIEWMICROWAVE.COM		NOTES: 1. UNLESS OTHERWISE SPECIFIED ALL DIMENSIONS ARE NOMINAL. 2. ALL SPECIFICATIONS ARE SUBJECT TO CHANGE WITHOUT NOTICE AT ANY TIME. 3. DIMENSIONS ARE IN INCHES [mm].			
TITLE Paddle Dual Band Antenna Operates From With a Nominal 6 dBi Gain SMA Female Input Connector Rated	DWG NO	SANT-2112		CAGE CODE 3FKR5	
	CAD FILE	061915	SHEET	SCALE	N/A SIZE A 2233